

GalvinSafe[®] Eye/Face Wash, Wall Mtd, Hand Held, 3.6mtr Recoil Hose, Axion[®] MSR Head (HAWS)

PRODUCT CODE:

Galvin Engineering: 190.42.65.32

HAWS: 8905

**PRE - INSTALLATION**

LOCATION OF UNIT: The Model 190.42.65.32 (8905) Hose Spray should be installed in close proximity to potential accident areas. It should be clearly identified, free from obstructions and easy to access.

SUPPLY LINE: The minimum recommended line size is 1/2" BSP with 210 – 600 kPa flowing pressure. Where sediment or mineral content is a problem, an inlet filter is recommended. A vacuum breaker is required to be used with this item. (Not supplied with the product or by Galvin Engineering)

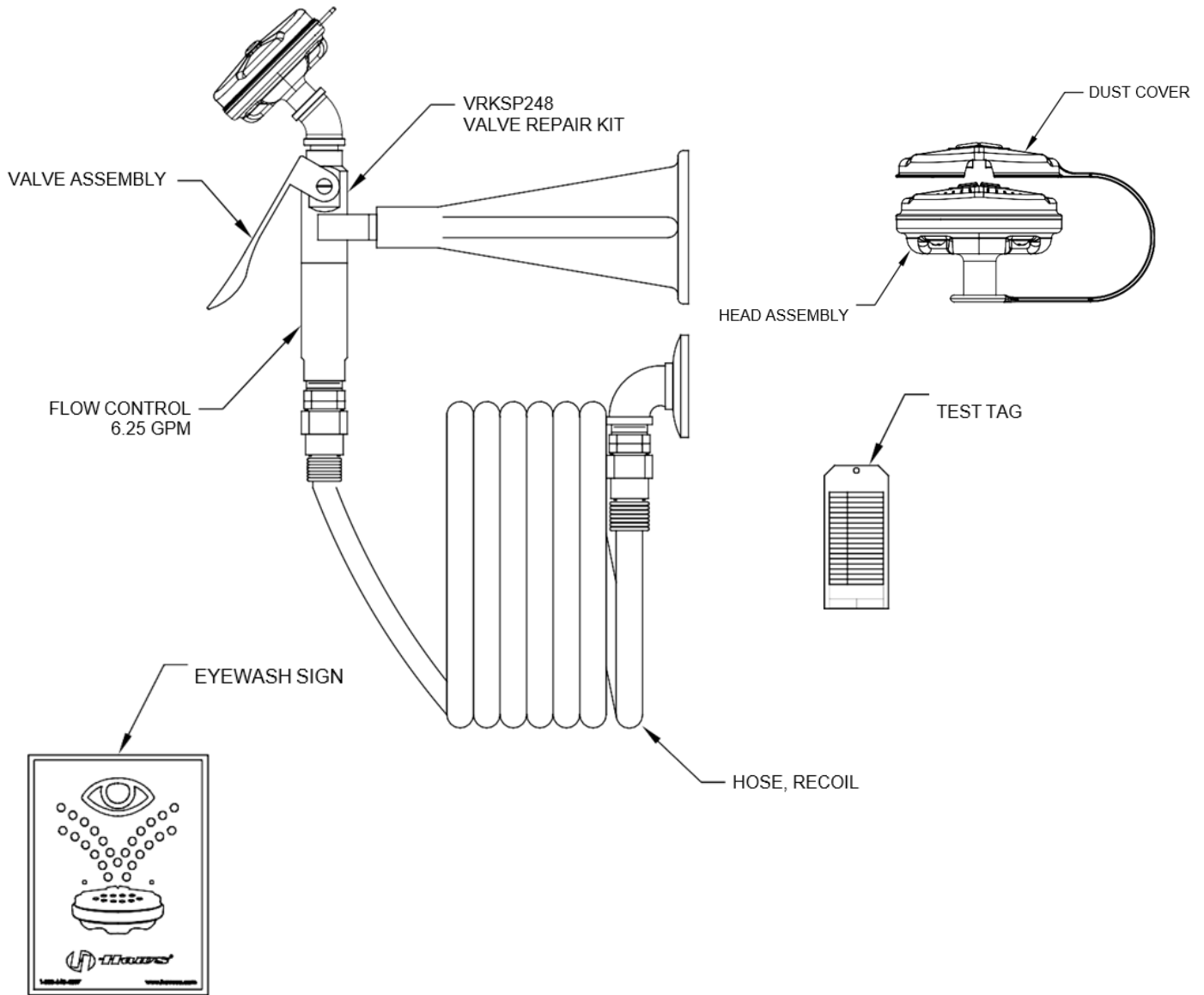
PLUMBING CONNECTIONS: Inlet supply is 1/2" BSPT.

INSTALLATION

Refer to installation drawing to clarify installation procedure.

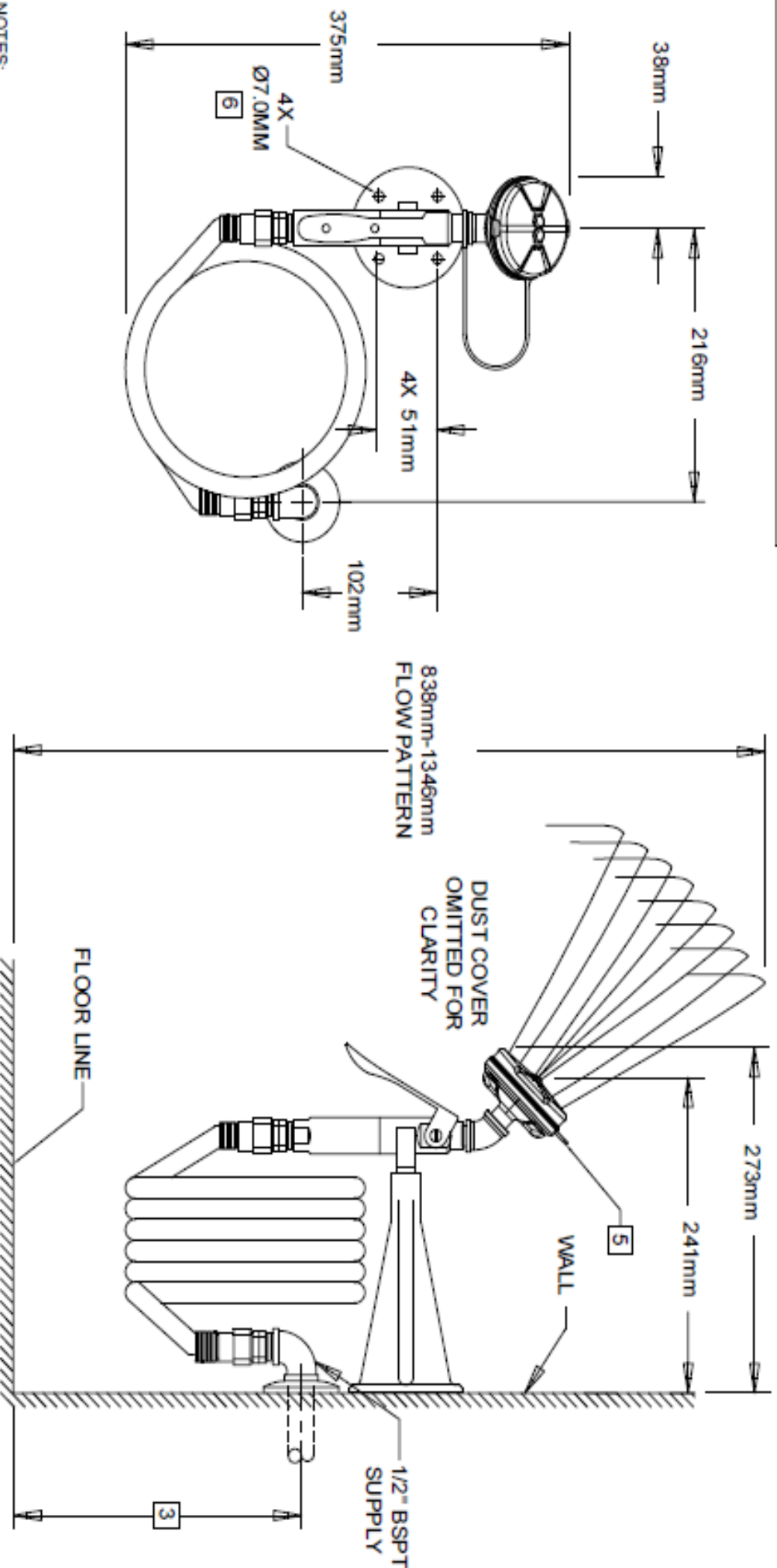
Assemble eye/face wash assembly to hose, orient tab on assembly away from user.

PARTS BREAKDOWN



ITEM CODE	ITEM DESCRIPTION
190.91.80.33	TEST TAGS
190.92.50.00	VALVE ASSEMBLY
190.91.12.32	EYEWASH SIGN
190.92.12.10	HEAD ASSEMBLY WITH DUST COVER
-	HOSE, RECOIL*

* spare parts will require special order or may not be available (contact Galvin engineering for more details).



NOTES:

1. WHEN INSTALLING THIS UNIT, LOCAL, STATE, OR FEDERAL CODES SHOULD BE ADHERED TO FOR INSTALLATION DIMENSIONS (LOCATIONS), WASTE AND SUPPLY REQUIREMENTS OTHER THAN SHOWN.
2. TO COMPLY WITH AS 4775:
EYEWASH OR EYE/FACE WASH SHALL BE POSITIONED SUCH THAT FLUSHING FLUID PATTERN IS NOT LESS THAN 838mm, NO GREATER THAN 1346mm FROM SURFACE ON WHICH USER STANDS, AND 153mm MINIMUM FROM WALL OR NEAREST OBSTRUCTION.
3. HEIGHT IS DETERMINED BY WATER FLOW PATTERN HEIGHT SHOWN, WHICH IN TURN, IS DEPENDENT ON IN-LINE SUPPLY PRESSURE.
4. IN ORDER TO COMPLY WITH STATE CODES, THE USE OF A VACUUM BREAKER IS REQUIRED WITH ALL HAND HELD EYE/FACE WASH AND BODY SPRAY UNITS (HAW'S OFFERS MODEL SP212).
5. ASSEMBLE EYE/FACE WASH ASSEMBLY AND DUST COVER TO HOSE; ORIENT TAB ON ASSEMBLY AWAY FROM USER.
6. MOUNTING HARDWARE NOT SUPPLIED.
7. DIMENSIONS MAY VARY ±13MM.

DISTRIBUTED BY:

GalvN Engineering
the mark of reliability

410 VICTORIA RD WALA WA WA
AUSTRALIA 6000
+61 8 9338 2340 F.A.C. +61 8 9338 2340
EMAIL: info@galvningeering.com.au
WEBSITE: www.galvningeering.com.au

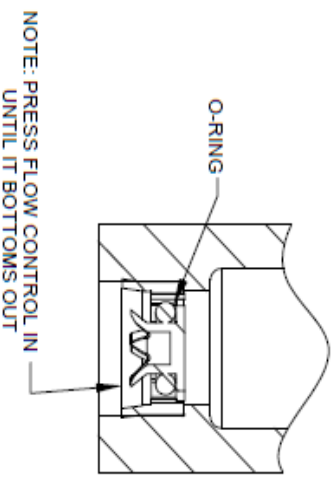
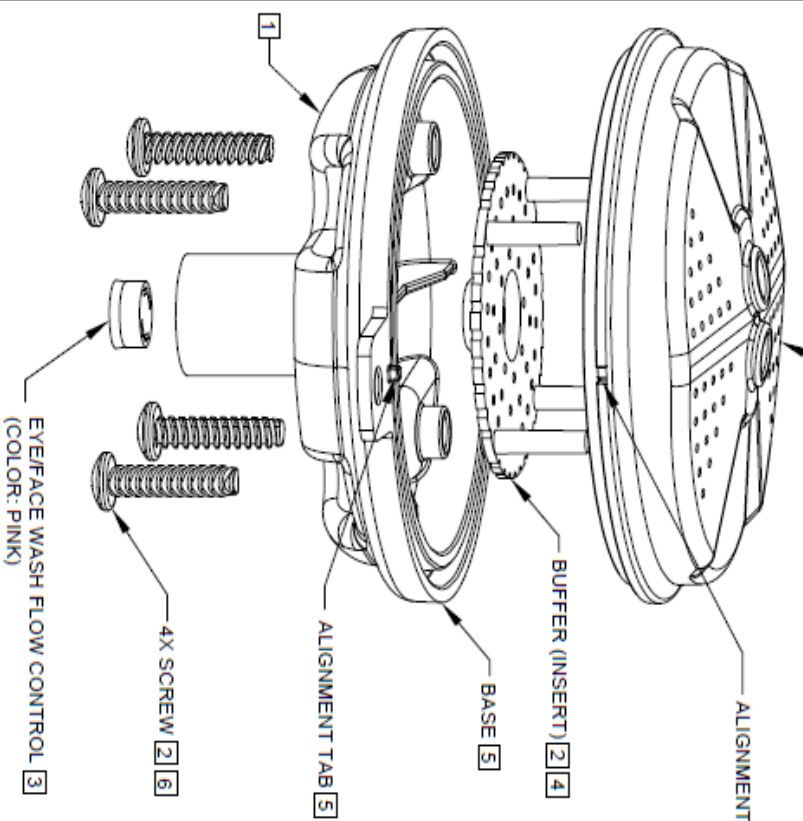
Haws

TECH NO	REVISED DATE	MODEL(S)	190, 42, 65, 32 (89905)
DRAWN	REVISED	DATE	DATE
CHK	DATE	CHK	DATE
APPROVED	DATE	APPROVED	DATE
SCALE	SCALE	SCALE	SCALE
SIZE	SIZE	SIZE	SIZE
SHEET	SHEET	SHEET	SHEET
OF	OF	OF	OF
PART NUMBER	0010009021010	REVISION	13

TROUBLESHOOTING	
PROBLEM	REPAIR CHECKLIST
1. No Flow.	1. Check the main shut-off valve.
2. Insufficient water flow	2. a. Verify minimum 210 kPa flowing supply line pressure b. Probable clogging of flow control due to inadequate line flushing Unscrew eye/face wash head and remove the four screws to disassemble the head. Clean flow control and reassemble head. See next page Installation Drawing for details.

For more information about GalvinSafe® (Haws) products, see our website.

EYEFACE WASH HEAD HAS 2 LARGE OPENINGS (FOR EYES) AND MULTIPLE SMALLER OPENINGS (FOR FACEWASH)

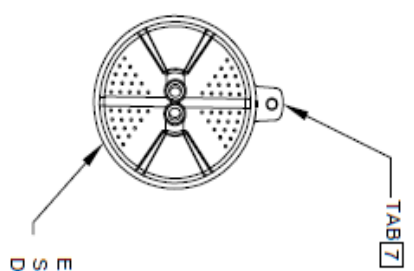


3 DETAIL A

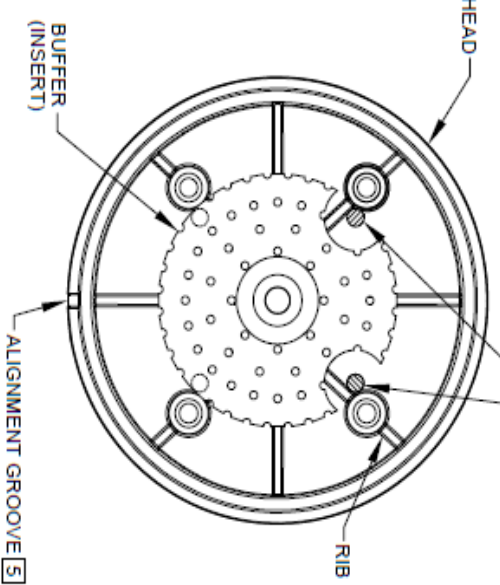
FLOW CONTROL SHOWN IN PLACE

FLOW CONTROL CLEANING STEPS:

- 1 UNSCREW EYEFACE WASH ASSEMBLY FROM ADAPTER (NOT SHOWN).
- 2 REMOVE SCREWS (QTY. 4) FROM SP65 EYEFACE WASH ASSEMBLY. REMOVE EYEFACE WASH HEAD AND BUFFER (INSERT).
- 3 REMOVE EXISTING FLOW CONTROL FROM BASE BY PUSHING IT OUT FROM THE TOP, AND CAREFULLY REMOVE ANY DEBRIS LODGED BETWEEN O-RING AND HOUSING OR OPENINGS. ALSO, CHECK FOR ANY SEDIMENT OR MINERAL DEPOSITS BLOCKING OPENINGS. EXERCISE CAUTION NOT TO DAMAGE OR LOSE O-RING IN THE PROCESS. ALL OPENINGS ON FLOW CONTROL MUST BE FREE AND CLEAR OF ANY OBSTRUCTIONS FOR FLOW CONTROL TO FUNCTION PROPERLY. REINSTALL FLOW CONTROL. SEE DETAIL A FOR ORIENTATION.
- 4 INSERT BUFFER (INSERT) INTO EYEFACE WASH HEAD NOTING ORIENTATION OF POST IN RELATIONSHIP TO ALIGNMENT GROOVE AS SHOWN ON DETAIL B.
- 5 REASSEMBLE EYEFACE WASH HEAD, MAKING SURE THAT ALIGNMENT GROOVE ON EYEFACE WASH HEAD LINES UP WITH ALIGNMENT TAB ON BASE.
- 6 REINSTALL SCREWS (QTY. 4) INTO THE EYEFACE WASH ASSEMBLY. TIGHTEN SNUG TO ENSURE A WATERTIGHT SEAL. DO NOT OVER-TIGHTEN. TORQUE SPEC: 4 IN. LBS. MAX
- 7 REASSEMBLE 190.92.12.10 EYEFACE WASH ASSEMBLY ONTO ADAPTER (NOT SHOWN). ORIENT TAB TOWARDS THE BACK (AWAY FROM USER). DO NOT OVER-TIGHTEN.
- 8 PLACE DUST COVER (NOT SHOWN) ONTO EYEFACE WASH.



NOTE ORIENTATION OF POSTS IN RELATIONSHIP TO ALIGNMENT GROOVE. POSTS MUST BE INSIDE OF RIBS (AS SHOWN).



4 DETAIL B

SEE SHEET 1 OF 2 FOR INSTALLATION/RETROFIT STEPS



DISTRIBUTED BY:
GalvinEngineering
the mark of reliability

410 VICTORIA RD MULLA WA
 94N-78 008 719 382
 94N-78 244 FAX: +61 8 9338 2340
 EMAIL: sales@galvinengineering.com.au
 WEBSITE: www.galvinengineering.com.au

ENCL. NO. / REVISION / PER. BY:	MODEL(S)	PART NUMBER
4108 / ENCL. 4838 / HJM	190.92.12.10 (SP65)	0002077031
DRAWING DATE / CHECKED	GALVINSAFE AXION MSR EYEFACE WASH HEAD (HAWS)	DRAWING NO. / REV
14/09/2015 / M/ANON		15342A00 / 8
APPROVED: DATE	SCALE: 5:10 DRAWING TYPE	INSTALLATION
		SHEET 2 OF 2

WARRANTY

The warranty set forth herein is given expressly and is the only warranty given by the Galvin Engineering Pty Ltd. With respect to the product, Galvin Engineering Pty Ltd makes no other warranties, express or implied. Galvin Engineering Pty. Ltd. hereby specifically disclaims all other warranties, express or implied, including but not limited to the implied warranties of merchantability and fitness for a particular purpose.

Galvin Engineering Pty Ltd products are covered under our manufacturer's warranty available for download from www.galvinengineering.com.au Galvin Engineering Pty Ltd expressly warrants that the product is free from operational defects in workmanship and materials for the warranty period as shown on the schedule in the manufacturer's warranty. During the warranty period, Galvin Engineering will replace or repair any defective products manufactured by Galvin Engineering without charge, so long as the terms of the Manufacturer's warranty are complied with.

The remedy described in the first paragraph of this warranty shall constitute the sole and exclusive remedy for breach of warranty, and Galvin Engineering Pty Ltd shall not be responsible for any incidental, special or consequential damages, including without limitation, lost profits or the cost of repairing or replacing other property which is damaged if this product does not work properly, other costs resulting from labour charges, delays, vandalism, negligence, fouling caused by foreign material, damage from adverse water conditions, chemical, electrical or any other circumstances over which Galvin Engineering has no control. This warranty shall be invalidated by any abuse, misuse, misapplication, improper installation or improper maintenance or alteration of the product.

Within Australia: **1300 514 074** Outside Australia: P: **+61 (0)8 9338 2344**

F: **+61 (0)8 9338 2340**

sales@galvinengineering.com.au

www.galvinengineering.com.au

ABN: 78 008 719 382

PERTH | SYDNEY | MELBOURNE | BRISBANE | ADELAIDE

